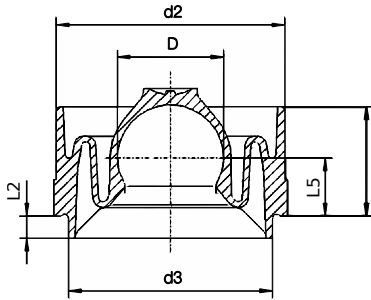


SNAPLOC® Coupling

Without collar for mounting dome - High temperature applications



Article number	d ₂ nominal size	Depth (L ₁)	Colour	Ball diameter (D)	d ₃ nominal size	Hardness	L ₃	L ₅	Material thickness (L ₂)
40400100031	24	9.0	black	10	22	70 Shore A	12	6	3
40400150010	40	21.0	black	15	36	70 Shore A	18	16	3
40400150032	32	10.3	black	10	28	60 Shore A	15	7.3	3

All technical data refer to the measure mm

