

# QUICKSERT® Plus

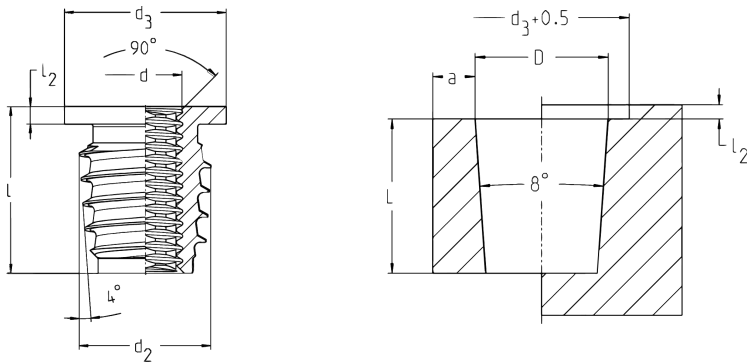
Brass | Type 1431 | Plus | flange

**Advantages:**

- Suitable for thermoplastic parts
- High-strength and torsion-proof threads
- Chipless installation
- Special version available with external left-hand thread for improved reverse locking

**Note:**

Also available without flange on request.



Diameter (d)	d <sub>3</sub> nominal size	Length (l) nominal size	S	a min.	l <sub>2</sub>	Outer diameter (d <sub>2</sub> )	L min.
M5	11.5	11.4	4	5.5	1.4	9.12	10.4
M6	13	13.4	5	6.0	1.4	10.67	12.0
M8	18	17.4	6.5	7.0	1.4	13.76	16.0

All technical data refer to the measure mm

