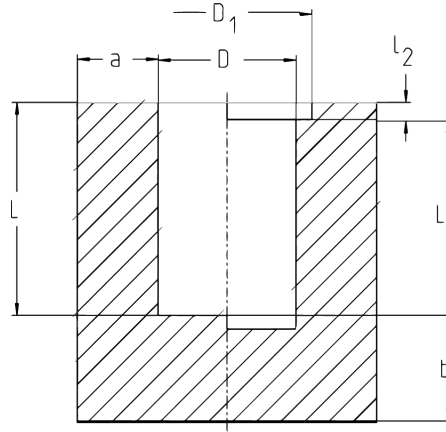
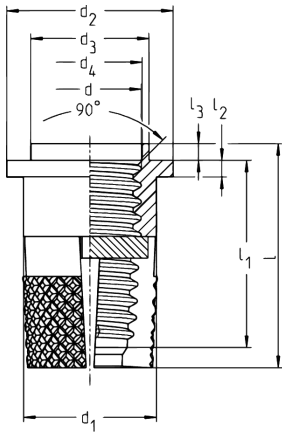


EXPANSIONERT 1

Brass | Type 0232 | clinch

Advantages:

- Universal thread insert for thermoset and thermoplastic components
- High-strength threads by expansion anchoring
- Quick, cost-effective installation



Diameter (d)	Pitch (P)	d ₁ nominal size	d ₄	Length (l) nominal size	l ₁ min.	l ₂	D _{1+0,2}	d ₃ max.	l ₃	Outer diameter (d ₂)
M 3	0.5	4.8	3.3	7.0	3.5	0.8	6.3	4.1	1	4.8
M 3.5	0.6	4.8	3.8	8.5	4.7	0.8	6.3	4.6	1	4.8
M 5	0.8	6.5	5.3	9.5	5.0	0.8	8.0	6.1	1	6.5
M 6	1.0	8	6.3	12.0	7.0	0.8	10.0	7.1	1	10

All technical data refer to the measure mm

