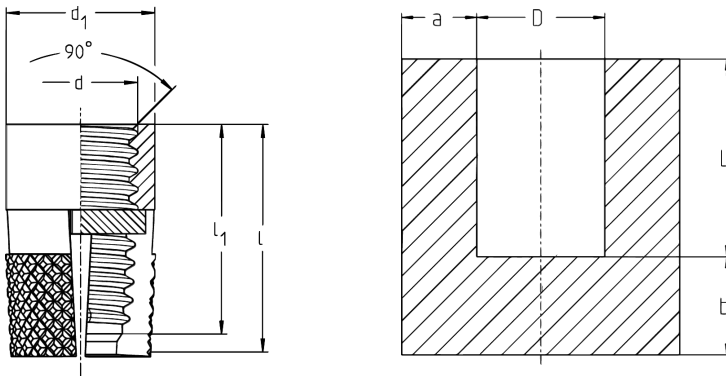


EXPANSIONERT 1

Brass | Type 0230 | standard

Advantages:

- Universal thread insert for thermoset and thermoplastic components
- High-strength threads by expansion anchoring
- Quick, cost-effective installation



Diameter (d)	d ₁ nominal size	Length (l) nominal size	l ₁ min.	a min.	b min.	Outer diameter (d ₂)
M 2.5	4	6.5	4.0	2.4	3.2	4
M 3	4.8	6.5	4.0	2.9	3.2	4.8
	4	6.5	5.0	2.4	3.2	4
M 3.5	4.8	8.0	5.0	2.9	4.0	4.8
M 4	5.5	8.0	5.0	3.3	4.0	5.5
	5.5	9.5	6.5	3.3	4.7	5.5
M 5	6.5	8.0	4.5	3.9	4.0	6.5
	6.5	11.0	7.5	3.9	5.5	6.5
M 6	8	12.5	8.5	4.8	6.2	8
M 8	11	16.0	11.0	6.6	8.0	11

All technical data refer to the measure mm

