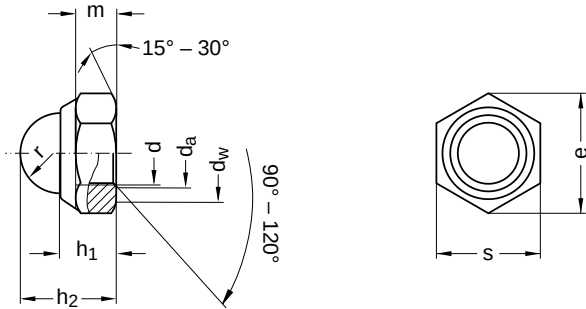


**DIN 986**

**Hexagon cap nuts**

With clamping part | non-metallic insert | low form

Steel 8 | zinc-plated | Cr(VI)-free | Metric thread



Diameter (d)	d <sub>a</sub>		d <sub>w</sub> min.	nominal size	h <sub>1</sub>		max.	h <sub>2</sub>	
	min.	max.			min.	max.		nominal size	min.
M 4	4	4.60	5.9	5.6	5.35	5.85	9.90	9.6	9.30
M 5	5	5.75	6.9	6.0	5.75	6.25	10.85	10.5	10.15
M 6	6	6.75	8.9	7.5	7.15	7.85	12.35	12.0	11.65
M 8	8	8.75	11.6	8.9	8.55	9.25	14.35	14.0	13.65
M 10	10	10.80	14.6	10.5	10.10	10.90	18.50	18.1	17.70
M 12	12	13.00	16.6	13.5	13.10	13.90	22.90	22.5	22.10
M 16	16	17.30	22.5	16.5	16.10	16.90	27.90	27.5	27.10

Diameter (d)	e min.	m min.	r			s		Pitch (P)	Tool size
			nominal size	min.	max.	min.	max.		
M 4	7.66	2.90	2.5	2.3	2.7	6.78	7	0.70	SW 7
M 5	8.79	4.40	3	2.5	3.5	7.78	8	0.80	SW 8
M 6	11.05	4.90	3.5	3.0	4.0	9.78	10	1.00	SW 10
M 8	14.38	6.44	4.6	4.1	5.1	12.73	13	1.25	SW 13
M 10	17.77	8.04	5.8	5.3	6.3	15.73	16	1.50	SW 17
M 12	20.03	10.37	6.8	5.8	7.8	17.73	18	1.75	SW 19
M 16	26.75	14.10	8.8	7.8	9.8	23.67	24	2.00	SW 24

All technical data refer to the measure mm

