

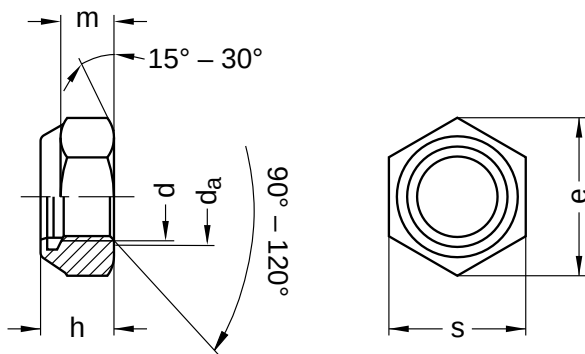
DIN 982 similar to ISO 7040

Hexagon nuts

With clamping part | non-metallic insert | high form

Steel 8 | zinc-plated, thick-film passivated (VZD)

Further information: DIN standard has been withdrawn | modified nut height and wrench width



Diameter (d)	d _a		h		e	m	s		Pitch (P)	Tool size
	min.	max.	min.	max.			min.	max.		
M 5	5	5.75	6.00	6.3	8.79	4.40	7.78	8	0.80	SW 8
M 6	6	6.75	7.70	8.0	11.05	4.90	9.78	10	1.00	SW 10
M 8	8	8.75	9.14	9.5	14.38	6.44	12.73	13	1.25	SW 13
M 10	10	10.80	11.14	11.5	18.90	8.04	16.73	17	1.50	SW 17
M 12	12	13.00	13.64	14.0	21.10	10.37	18.67	19	1.75	SW 19
M 20	20	21.60	20.70	22.0	32.95	16.90	29.16	30	2.50	SW 30

All technical data refer to the measure mm

