

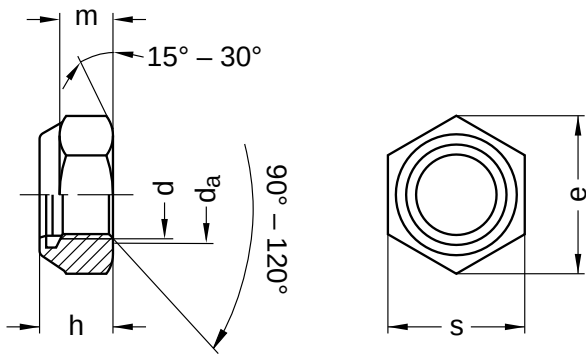
**DIN 982** similar to ISO 7040

## Hexagon nuts

With clamping part | non-metallic insert | high form

Steel 10 | zinc-plated, thick-film passivated (VZD) | Cr(VI)-free | Metric thread

Further information: DIN standard has been withdrawn | modified nut height and wrench width



Diameter (d)	d <sub>a</sub>		h		e	m	s		Pitch (P)	Tool size
	min.	max.	min.	max.			min.	max.		
M 10	10	10.8	11.14	11.5	18.90	8.04	16.73	17	1.50	SW 17
M 12	12	13.0	13.64	14.0	21.10	10.37	18.67	19	1.75	SW 19
M 16	16	17.3	17.30	18.0	26.75	14.10	23.67	24	2.00	SW 24
M 20	20	21.6	20.70	22.0	32.95	16.90	29.16	30	2.50	SW 30

All technical data refer to the measure mm

