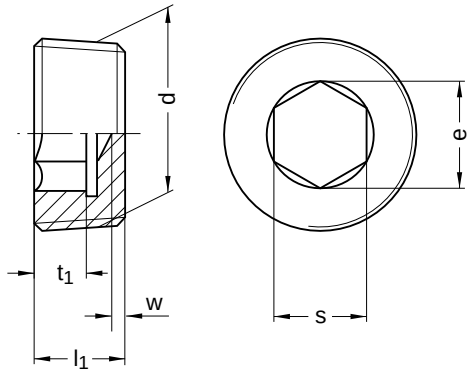
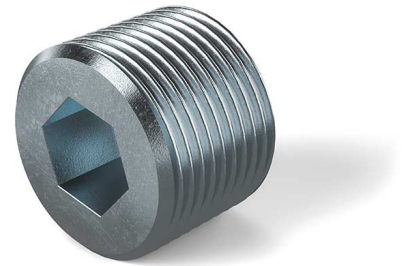


**DIN 906**  
**Locking screws**

Hexagon socket

Steel | zinc-plated | Cr(VI)-free | Conical Whitworth pipe thread



Diameter (d)	l <sub>1</sub>	e min.	s nominal size	t <sub>1</sub> min.	w min.	Tool size
R 1/8	8	5.7	5	4	1.8	SW 5
R 1/4	10	8.0	7	5	2.0	SW 7
R 3/8	10	9.2	8	5	2.0	SW 8
R 1/2	10	11.4	10	5	2.0	SW 10
R 3/4	12	13.7	12	6	2.0	SW 12

All technical data refer to the measure mm

