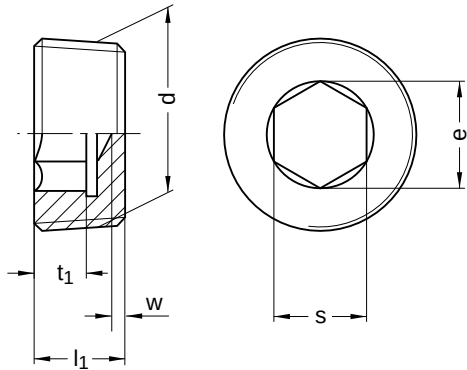


**DIN 906**  
**Locking screws**

Hexagon socket

Stainless steel A4 | Cr(VI)-free | Metric conical fine thread



Diameter (d)	l <sub>1</sub>	e min.	s nominal size	t <sub>1</sub> min.	w min.	Tool size
M 8x1	8	4.6	4	4	1.8	SW 4
M 10x1	8	5.7	5	4	1.8	SW 5
M 12x1.5	10	6.9	6	5	2.0	SW 6
M 14x1.5	10	8.0	7	5	2.0	SW 7
M 16x1.5	10	9.2	8	5	2.0	SW 8
M 18x1.5	10	9.2	8	5	2.0	SW 8
M 20x1.5	10	11.4	10	5	2.0	SW 10
M 22x1.5	10	11.4	10	5	2.0	SW 10
M 24x1.5	12	13.7	12	6	2.0	SW 12
M 26x1.5	12	13.7	12	6	2.0	SW 12
M 27x2	12	13.7	12	6	2.0	SW 12
M 30x1.5	12	19.4	17	6	2.0	SW 17
M 30x2	12	19.4	17	6	2.0	SW 17

All technical data refer to the measure mm

