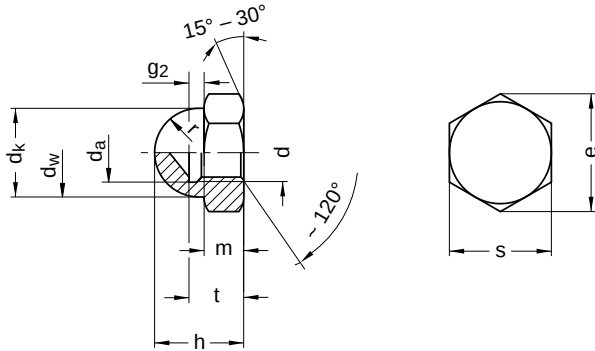


DIN 1587
Hexagon cap nuts
 High form

Stainless steel A4 | Cr(VI)-free | Metric thread



Diameter (d)	d _a		d _k	d _w	e	g ₂	h	m		r	s		Pitch (P)	t		Tool size
	min.	max.	max.	min.	min.	max.	max.	min.	max.	nominal size	max.	min.		max.	min.	
M 4	4	4.60	6.5	5.9	7.50	–	8	2.90	3.2	3.25	7	6.64	0.70	5.74	5.26	SW 7
M 5	5	5.75	7.5	6.9	8.63	–	10	3.70	4.0	3.75	8	7.64	0.80	7.79	7.21	SW 8
M 6	6	6.75	9.5	8.9	10.89	–	12	4.70	5.0	4.75	10	9.64	1.00	8.29	7.71	SW 10
M 8	8	8.75	12.5	11.6	14.20	–	15	6.14	6.5	6.25	13	12.57	1.25	11.35	10.65	SW 13
M 10	10	10.80	15.0	14.6	17.59	–	18	7.64	8.0	7.5	16	15.57	1.50	13.35	12.65	SW 17
M 12	12	13.00	17.0	16.6	19.85	6.4	22	9.64	10.0	8.5	18	17.57	1.75	16.35	15.65	SW 19
M 14	14	15.10	20.0	19.6	22.78	7.3	25	10.30	11.0	10	21	20.16	2.00	18.35	17.65	SW 22
M 16	16	17.30	23.0	22.5	26.17	7.3	28	12.30	13.0	11.5	24	23.16	2.00	21.42	20.58	SW 24
M 18	18	19.50	26.0	24.9	29.56	9.3	32	14.30	15.0	13	27	26.16	2.50	25.42	24.58	SW 27
M 20	20	21.60	28.0	27.7	32.95	9.3	34	14.90	16.0	14	30	29.16	2.50	26.42	25.58	SW 30
M 22	22	23.70	33.0	31.4	37.29	9.3	39	16.90	18.0	16.5	34	33.00	2.50	29.42	28.58	SW 32
M 24	24	25.90	34.0	33.3	39.55	10.7	42	17.70	19.0	17	36	35.00	3.00	31.50	30.50	SW 36

All technical data refer to the measure mm

