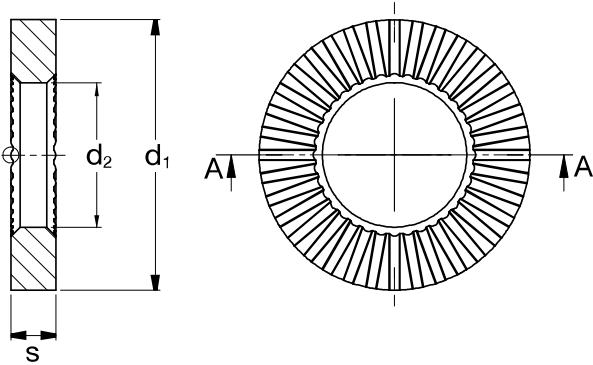


**B 53065**  
**RIPP LOCK® self-locking washers**

With standard external diameter | ribbed on both sides

Steel | zinc flake coating | Cr(VI)-free



| Diameter<br>(d) | b    |       | d <sub>1</sub> |      | d <sub>2</sub> |              | s    |      |  |
|-----------------|------|-------|----------------|------|----------------|--------------|------|------|--|
|                 | max. | min.  | max.           | min. | max.           | nominal size | min. | max. |  |
| 4               | 5.0  | 8.60  | 9              | 4.3  | 4.50           | 2.0          | 2.0  | 2.1  |  |
| 5               | 6.0  | 9.60  | 10             | 5.3  | 5.50           | 2.0          | 2.0  | 2.1  |  |
| 6               | 8.0  | 11.57 | 12             | 6.4  | 6.62           | 2.0          | 2.0  | 2.2  |  |
| 8               | 10.0 | 15.57 | 16             | 8.4  | 8.62           | 2.5          | 2.5  | 2.7  |  |
| 10              | 12.1 | 19.48 | 20             | 10.5 | 10.77          | 2.5          | 2.5  | 2.7  |  |
| 12              | 14.1 | 23.48 | 24             | 12.5 | 12.77          | 3.0          | 3.0  | 3.3  |  |
| 14              | 16.1 | 27.48 | 28             | 14.5 | 14.77          | 3.0          | 3.0  | 3.3  |  |
| 16              | 18.1 | 29.48 | 30             | 16.5 | 16.77          | 4.0          | 4.0  | 4.3  |  |
| 20              | 22.1 | 36.38 | 37             | 20.5 | 20.83          | 4.0          | 4.0  | 4.3  |  |
| 24              | 26.1 | 43.38 | 44             | 24.5 | 24.83          | 5.0          | 5.0  | 5.3  |  |
| 27              | 29.1 | 49.38 | 50             | 27.5 | 28.02          | 5.0          | 5.0  | 5.3  |  |
| 30              | 32.1 | 55.26 | 56             | 30.5 | 31.02          | 6.0          | 6.0  | 6.3  |  |

All technical data refer to the measure mm

