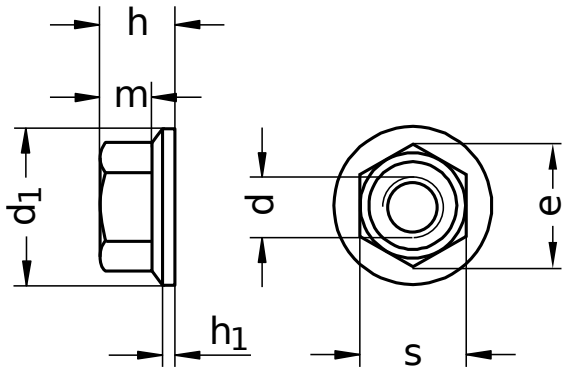


B 53010

Washer nuts

With permanent, loose washer

Steel 8 | zinc-plated | Cr(VI)-free | Metric thread



Diameter (d)	d ₁		h ₁			h			e	s		Tool size
	nominal size	min.	nominal size	min.	max.	nominal size	min.	max.	min.	nominal size	min.	
M 3	10	9.75	0.8	0.77	0.83	3.70	3.30	3.85	6.01	5.5	5.32	SW 5,5
M 4	12	11.70	1.0	0.96	1.04	4.85	4.40	5.00	7.66	7.0	6.78	SW 7
M 5	15	14.65	1.2	1.16	1.24	6.00	5.50	6.20	8.87	8.0	7.78	SW 8
M 6	18	17.60	1.5	1.45	1.55	7.50	7.00	7.70	11.05	10.0	9.78	SW 10
M 8	23	22.60	2.0	1.94	2.06	9.70	9.14	9.90	14.38	13.0	12.73	SW 13
M 10	28	27.60	2.5	2.44	2.56	12.00	11.39	12.25	18.90	17.0	16.73	SW 17

All technical data refer to the measure mm

