

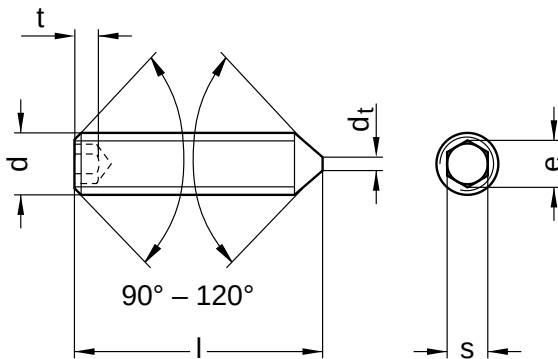
ISO 4027 identical with DIN 914

Set screws

Hexagon socket | with cone point

Steel 45 H | bright | Cr(VI)-free | Metric thread

Further information: ISO-standard has been withdrawn | Threaded pins are not intended for use under tensile load



Diameter (d)	d _t max.	e min.	s		Pitch (P)	t min.	Tool size
			nominal size	min. / max.			
M2	0.50	1.01	0.9	0.89 / 0.91	0.40	0.8	SW 0,9
M3	0.75	1.73	1.5	1.52 / 1.58	0.50	1.2	SW 1,5
M4	1.00	2.30	2.0	2.02 / 2.08	0.70	1.5	SW 2
M5	1.25	2.87	2.5	2.52 / 2.58	0.80	2.0	SW 2,5
M6	1.50	3.44	3.0	3.02 / 3.08	1.00	2.0	SW 3
M8	2.00	4.58	4.0	4.02 / 4.10	1.25	3.0	SW 4
M10	2.50	5.72	5.0	5.02 / 5.14	1.50	4.0	SW 5
M12	3.00	6.86	6.0	6.02 / 6.14	1.75	4.8	SW 6
M16	4.00	9.15	8.0	8.02 / 8.18	2.00	6.4	SW 8
M20	5.00	11.43	10.0	10.02 / 10.18	2.50	8.0	SW 10

nominal size	Length (l)	
	min.	max.
3	2.80	3.20
4	3.76	4.24
5	4.76	5.24
6	5.76	6.24
8	7.71	8.29
10	9.71	10.29
12	11.65	12.35
14	13.65	14.35
16	15.65	16.35
18	17.65	18.35
20	19.58	20.42
25	24.58	25.42

nominal size	Length (l)	
	min.	max.
30	29.58	30.42
35	34.50	35.50
40	39.50	40.50
45	44.50	45.50
50	49.50	50.50
55	54.40	55.60
60	59.40	60.60
70	69.40	70.60
80	79.40	80.60
90	89.30	90.70

All technical data refer to the measure mm



ISO 4027 identical with DIN 914

Set screws

Hexagon socket | with cone point

Steel 45 H | bright | Cr(VI)-free | Metric thread

Diameter (d)	Length (l)																					
	3	4	5	6	8	10	12	14	16	18	20	25	30	35	40	45	50	55	60	70	80	90
M2	●																					
M3	●	●	●	●	●	●	●		●													
M4		●	●	●	●	●	●	●	●	●	●											
M5			●	●	●	●	●		●	●	●	●										
M6				●	●	●	●		●	●	●	●	●	●	●	●	●	●				
M8					●	●	●	●	●	●	●	●	●	●	●	●						
M10						●	●		●	●	●	●	●	●	●	●	●					
M12						●	●		●	●	●	●	●	●	●	●	●	●	●			
M16									●		●	●	●	●	●	●	●	●	●	●	●	●
M20											●	●	●	●	●	●	●		●			

● Combinations available in the eShop | Other sizes on request

All technical data refer to the measure mm

