

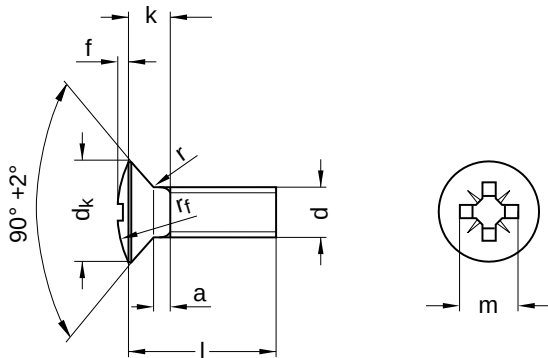
DIN 966 similar to ISO 7047

Raised countersunk head screws

Cross-slot pozidriv

Stainless steel A2 | Cr(VI)-free | Metric thread

Further information: DIN standard has been withdrawn



Diameter (d)	a max.	dk		f	k max.	m	rf	r max.	Pitch (P)	Tool size
		min.	max.							
M2	0.8	3.50	3.8	0.50	1.20	2.4	4	0.5	0.40	Z1
M2.5	0.9	4.40	4.7	0.60	1.50	2.8	5	0.7	0.45	Z1
M3	1.0	5.30	5.6	0.75	1.65	3.1	6	0.8	0.50	Z1
M4	1.4	7.14	7.5	1.00	2.20	4.6	8	1.0	0.70	Z2
M5	1.6	8.84	9.2	1.25	2.50	5.3	10	1.3	0.80	Z2
M6	2.0	10.57	11.0	1.50	3.00	7.0	12	1.6	1.00	Z3

nominal size	Length (l)	
	min.	max.
5	4.75	5.25
6	5.75	6.25
8	7.70	8.30
10	9.70	10.30
12	11.65	12.35
16	15.65	16.35

nominal size	Length (l)	
	min.	max.
20	19.60	20.40
25	24.60	25.40
30	29.60	30.40
35	34.50	35.50
40	39.50	40.50

Diameter (d)	Length (l)										
	5	6	8	10	12	16	20	25	30	35	40
M2		●	●	●							
M2.5		●	●	●	●						
M3	●		●	●	●	●	●				
M4		●	●	●	●	●	●	●	●		
M5			●	●	●	●	●	●	●	●	●
M6				●	●	●	●	●	●	●	●

• Combinations available in the eShop | Other sizes on request

All technical data refer to the measure mm

