

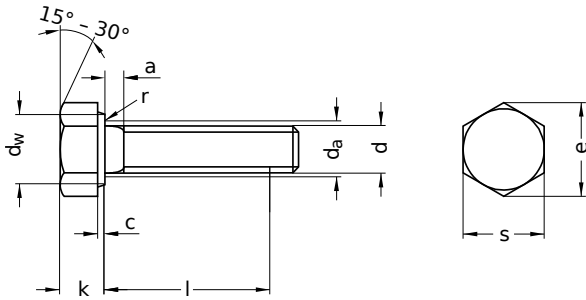
DIN 961 similar to ISO 8676

Hexagon head bolts

Hexagon head | fully threaded

Steel 12.9 | bright | Cr(VI)-free | Metric fine thread

Further information: DIN-standard has been withdrawn | changed spanner widths for M10, M12, M14 and M22



Diameter (d)	a max.	c min.	c max.	d _a max.	d _w min.	e min.	nominal size	k min.	k max.	r min.	s max.	s min.	Pitch (P)	Tool size
M12 x 1.5	4.5	0.15	0.6	13.7	17.2	20.88	7.5	7.21	7.79	0.6	19	18.48	1.5	SW 19

Length (l)		
nominal size	min.	max.
45	44.5	45.5

Diameter (d)	Length (l)
45	45

M12 x 1.5 ●

- Combinations available in the eShop | Other sizes on request

All technical data refer to the measure mm

