

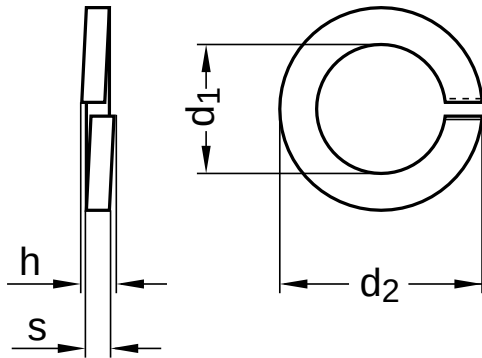
DIN 7980

Spring washers

For cylinder screws

Stainless steel A4 | Cr(VI)-free

Further information: Norm has been withdrawn without replacement



| Diameter (d) | d ₁ | | d ₂ max. | h | | r nominal size | s | | |
|-----------------|----------------|------|------------------------|------|-------|-------------------|--------------|------|------|
| | min. | max. | | min. | max. | | nominal size | min. | max. |
| 3 | 3.1 | 3.4 | 5.6 | 2.0 | 2.36 | 0.2 | 1.0 | 0.90 | 1.10 |
| 4 | 4.1 | 4.4 | 7.0 | 2.4 | 2.83 | 0.2 | 1.2 | 1.10 | 1.30 |
| 5 | 5.1 | 5.4 | 8.8 | 3.2 | 3.78 | 0.2 | 1.6 | 1.50 | 1.70 |
| 6 | 6.1 | 6.5 | 9.9 | 3.2 | 3.78 | 0.3 | 1.6 | 1.50 | 1.70 |
| 8 | 8.1 | 8.5 | 12.7 | 4.0 | 4.72 | 0.5 | 2.0 | 1.90 | 2.10 |
| 10 | 10.2 | 10.7 | 16.0 | 5.0 | 5.90 | 0.8 | 2.5 | 2.35 | 2.65 |
| 12 | 12.2 | 12.7 | 18.0 | 5.0 | 5.90 | 0.8 | 2.5 | 2.35 | 2.65 |
| 14 | 14.2 | 14.7 | 21.1 | 6.0 | 7.10 | – | 3.0 | 2.80 | 3.20 |
| 16 | 16.2 | 17.0 | 24.4 | 7.0 | 8.25 | – | 3.5 | 3.30 | 3.70 |
| 18 | 18.2 | 19.0 | 26.4 | 7.0 | 8.25 | – | 2.5 | 2.30 | 2.70 |
| 20 | 20.2 | 21.2 | 30.6 | 9.0 | 10.60 | – | 4.5 | 4.30 | 4.70 |
| 22 | 22.5 | 23.5 | 32.9 | 9.0 | 10.60 | – | 4.5 | 4.30 | 4.70 |
| 27 | 27.5 | 28.5 | 38.9 | 10.0 | 11.80 | 1.6 | 5.0 | 4.80 | 5.20 |
| 30 | 30.5 | 31.7 | 44.1 | 12.0 | 14.20 | 1.6 | 6.0 | 5.80 | 6.20 |

All technical data refer to the measure mm

