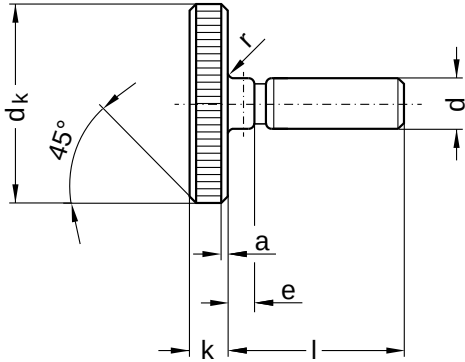


DIN 653
Knurled screws

Low form

Brass | Cr(VI)-free | Metric thread



Diameter (d)	a max.	dk		ds		e nominal size	k		r nominal size	Pitch (P)	
		nominal size	min.	max.	min.		max.	min.			max.
M3	1.50	12	11.65	12.35	2.86	3	2	2.25	2.5	0.5	0.50
M4	2.10	16	15.65	16.35	3.82	4	3	3.20	3.5	0.5	0.70
M5	2.40	20	19.58	20.42	4.82	5	3	3.70	4.0	1	0.80
M6	3.00	24	23.58	24.42	5.82	6	4	4.70	5.0	1	1.00
M8	3.75	30	29.58	30.42	7.78	8	5	5.70	6.0	2	1.25

nominal size	Length (l)	
	min.	max.
6	5.8	6.2
8	7.8	8.2
10	9.7	10.3
12	11.7	12.3
16	15.7	16.3
20	19.6	20.4

nominal size	Length (l)	
	min.	max.
25	24.6	25.4
30	29.6	30.4
35	34.5	35.5

Diameter (d)	Length (l)								
	6	8	10	12	16	20	25	30	35
M3	●	●	●	●	●	●			
M4		●	●	●	●	●	●		
M5			●	●	●	●			
M6				●	●	●	●	●	
M8					●	●		●	●

• Combinations available in the eShop | Other sizes on request

All technical data refer to the measure mm

