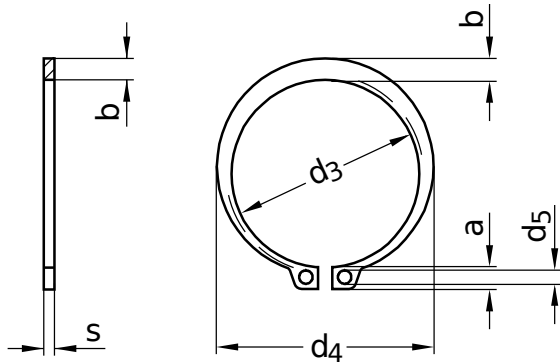


**DIN 471**

**Lock rings**

For shafts | heavy duty

Spring steel | bright | Cr(VI)-free



Diameter (d)	a max.	b	d <sub>1</sub> nominal size	d <sub>3</sub>		d <sub>4</sub>	d <sub>5</sub>	s			
				nominal size	min.			max.	nominal size	min.	max.
15	4.8	2.4	15	13.8	13.44	13.90	25.1	2.0	1.50	1.44	1.50
16	5.0	2.5	16	14.7	14.34	14.80	26.5	2.0	1.50	1.44	1.50
17	5.0	2.6	17	15.7	15.34	15.80	27.5	2.0	1.50	1.44	1.50
20	5.5	3.0	20	18.5	18.08	18.63	31.6	2.0	1.75	1.69	1.75
22	6.0	3.1	22	20.5	20.08	20.63	34.6	2.0	1.75	1.69	1.75
25	6.4	3.4	25	23.2	22.78	23.41	38.5	2.0	2.00	1.93	2.00
30	6.5	4.1	30	27.9	27.48	28.11	43.7	2.0	2.00	1.93	2.00
34	6.6	4.2	34	31.5	31.00	31.75	47.9	2.5	2.50	2.43	2.50
35	6.7	4.2	35	32.2	31.70	32.45	49.1	2.5	2.50	2.43	2.50
40	7.0	4.4	40	36.5	35.60	36.89	54.7	2.5	2.50	2.43	2.50
42	7.2	4.5	42	38.5	37.60	38.89	57.2	2.5	2.50	2.43	2.50
45	7.5	4.7	45	41.5	40.60	41.89	60.8	2.5	2.50	2.43	2.50
48	7.8	5.0	48	44.5	43.60	44.89	64.4	2.5	2.50	2.43	2.50
50	8.0	5.1	50	45.8	44.90	46.19	66.8	2.5	3.00	4.92	3.00
55	8.5	5.4	55	50.8	49.70	51.26	72.9	2.5	3.00	2.92	3.00
58	8.8	5.6	58	53.8	52.70	54.26	76.5	2.5	3.00	2.92	3.00
60	9.0	5.8	60	55.8	54.70	56.26	78.9	2.5	3.00	2.92	3.00
70	9.5	6.6	70	65.5	64.40	65.96	90.0	3.0	4.00	3.90	4.00
75	9.7	7.0	75	70.5	69.40	70.96	95.4	3.0	4.00	3.90	4.00
80	9.8	7.4	80	74.5	73.40	74.96	100.6	3.0	4.00	3.90	4.00
85	10.0	7.8	85	79.5	78.40	79.96	106.0	3.5	4.00	3.90	4.00
100	10.5	9.0	100	94.5	93.20	95.04	122.1	3.5	4.00	3.90	4.00

All technical data refer to the measure mm

