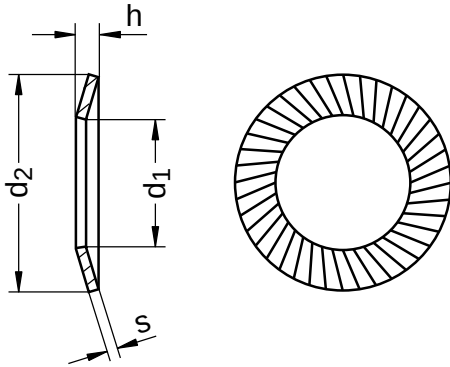


B 53070

Locking washers

Form S

Spring steel | blackened | Cr(VI)-free



Diameter (d)	d ₁ nominal size	d ₂ nominal size	h nominal size	s nominal size
3	3.2	5.5	0.51	0.45
4	4.3	7	0.59	0.50
5	5.3	9	0.73	0.60
6	6.4	10	0.82	0.70
7	7.4	12	0.89	0.70
8	8.4	13	0.98	0.80
10	10.5	16	1.21	1.00
12	13	18	1.31	1.10
14	15	22	1.52	1.20
16	17	24	1.63	1.30
18	19	27	1.85	1.50
20	21	30	1.94	1.50
22	23	33	2.08	1.50
24	25.6	36	2.32	1.80
25	27	38	2.52	2.00
27	28.6	39	2.52	2.00
30	31.6	45	2.78	2.00
36	38	54	3.38	2.50

All technical data refer to the measure mm

