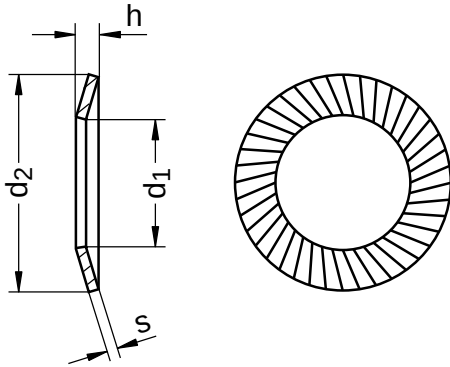


B 53070

Locking washers

Form S

Spring steel | mechanically zinc-plated | Cr(VI)-free



Diameter (d)	d ₁ nominal size	d ₂ nominal size	h nominal size	s nominal size
2.5	2.7	4.8	0.49	0.45
3	3.2	5.5	0.51	0.45
4	4.3	7	0.59	0.50
5	5.3	9	0.73	0.60
6	6.4	10	0.82	0.70
7	7.4	12	0.89	0.70
8	8.4	13	0.98	0.80
10	10.5	16	1.21	1.00
12	13	18	1.31	1.10
14	15	22	1.52	1.20
16	17	24	1.63	1.30
20	21	30	1.94	1.50
24	25.6	36	2.32	1.80
30	31.6	45	2.78	2.00
36	38	54	3.38	2.50

All technical data refer to the measure mm

